

# eCom.IT

**B2B Integration Services**  
**Focused, Dynamic, Robust**

# Company Overview

- B2B / EDI experts with over 25 years experience
- Focus on EDI, Enterprise Application Integration and Supply Chain
- Management
- Over 1,500 active customers worldwide
- Core markets are Automotive, Manufacturing, Logistics and Retail sectors
- Drummond certified AS2
- GS1 certified solutions
- ODETTE certified solutions
- Strong Technology Partners
  - Opentext-GXS
  - Epicor-Data Interchange PLC
  - Seeburger
  - Oracle
  - Microsoft
  - SAP



# Coverage and Capabilities

## Documents

eCom IT has experience with 100+ Business documents to ease documents-based traceable B2B Integration.

## Software Development

Oracle, MySQL, MS SQL PHP, Python, C#, JavaScript Kanban, Agile, Waterfall, Six Sigma.



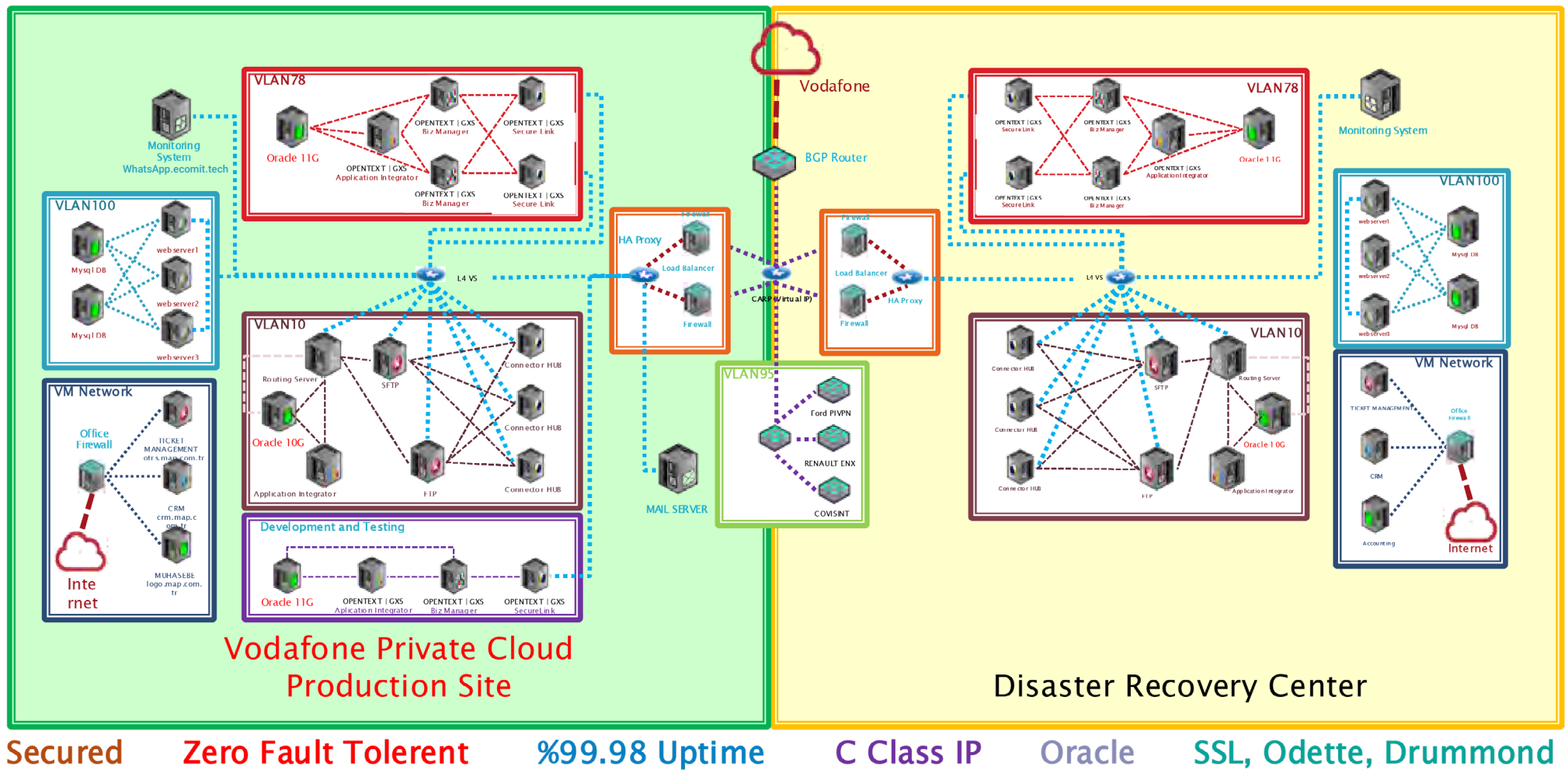
## Communication Protocols

**ODETTE**, FTP, OFTP, OFTP2,  
**DRUMMOND**, AS2, AS3 Web Service,  
 SOAP ISDN, ENX.

## EDI Standards

ANSI x 12  
 EDIFACT  
 VDA  
 XML, EANCOM

# Infrastructure - High Availability





# One EDI VAN – Multiple Sectors

## AUTOMOTIVE

Global Connectivity to OEM's. A wide network of 1st. and 2nd. Tier Suppliers

## RETAIL-HORECA

A Total of 50+ Retailers are connected. Over 600 suppliers presently connected to eCom IT VAN.

## PHARMA

Company specific solutions to Global and Local Pharma companies, including, integration, communication and data protection.



## LOGISTICS

Global and Local solutions to Logistic operators. Custom solution for Ports, Harbours and Customs.

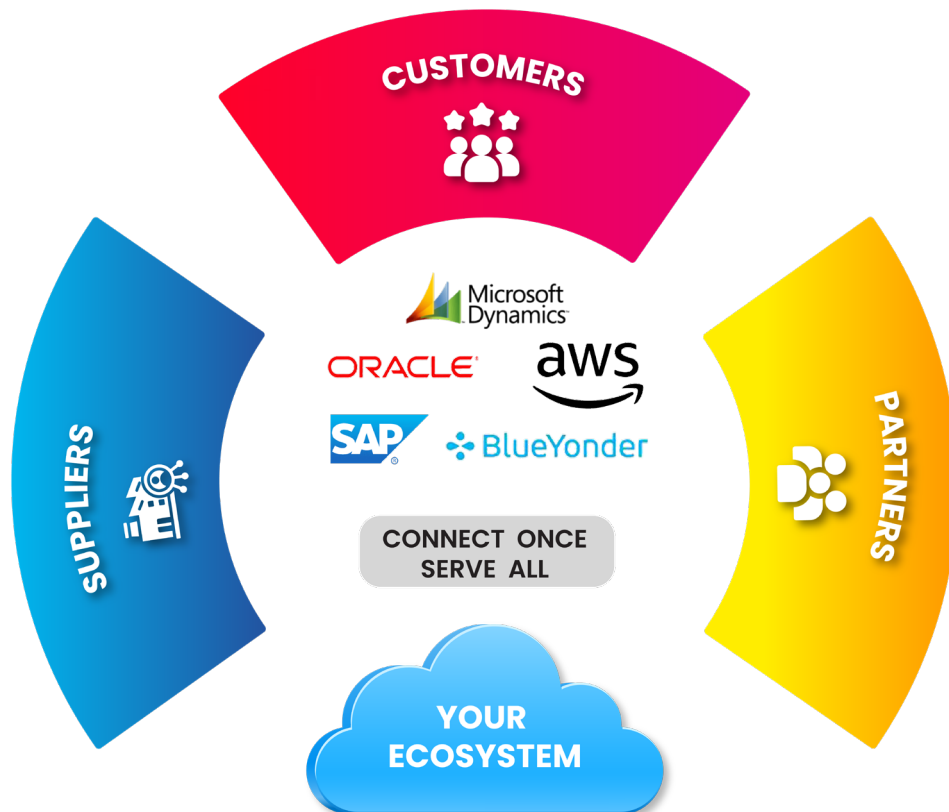
## DO IT YOURSELF

Dealt in Retail solution set. Connection to major European retailers and their suppliers.

## OTHERS

Defence Industry, Textile, Finance, Furniture, Consumer Goods, Hospitals, etc.

# Retail Supply Chain Management



## EDI-Port (web-edi)

- Features a web-based user interface allowing access from any supported browser
- User-friendly dashboard, ease of access to EDI documents
- All channels and formats are supported
- Multi-language environment
- Business Rule Definitions
- On-Premise EDI Connector enabling sending & receiving EDI documents
- Self-support System (L1)
  - Party CRUD operations
  - CRUD relations between parties
  - Import/Export Documents
  - Resend EDI documents
- Traffic Reports
- Archiving
- Error handling system – XSD Validation
- eMail Notifications

# Monitor, Operate, Manage Electronically



# Monitor, Operate, Manage Electronically

**DAILY RECEIVED**

**FILTER**

Download Export to Excel

Doc. Date	Type	Document Number	Chain	Store Name	Supp. Name
2020-08-04	Orders	PO-001737900	ALTEX ROMANIA	GESTIUNE TRANZIF-STOC FURNIZOR	NETWORK ONE DISTRIBUT
2020-08-04	Orders	4502193728	SC ARABESQUE SRL	ARABESQUE SRL Depozit Iasi	HENKEL ROMANIA SA
2020-08-04	Receiving Advice	NIR-001612505	ALTEX ROMANIA	GESTIUNE TRANZIF-STOC FURNIZOR	NETWORK ONE DISTRIBUT
2020-08-04	Orders	4502193698	SC ARABESQUE SRL	ARABESQUE SRL Depozit Baia Mare	HOLLIM SA
2020-08-04	Orders	4502193724	SC ARABESQUE SRL	ARABESQUE SRL Punct de lucru Sibiu	HEIDELBERGEMENT ROM
2020-08-04	Orders	4502193723	SC ARABESQUE SRL	ARABESQUE SRL Depozit Iasi	HEIDELBERGEMENT ROM
2020-08-04	Orders	4502193595	SC ARABESQUE SRL	ARABESQUE SRL Depozit Oradea	HOLLIM SA
2020-08-04	Orders	0104474603	BRICOSTORE ROMANIA S.A.	DEPOZIT FLOIESTI	WETTERBEST SRL
2020-08-04	Orders	928799	SELGROS	MAGAZIN SELGROS DRUMUL TABEREI(158)	COMPLET ELECTRO SER
2020-08-04	Orders	PO-001737867	ALTEX ROMANIA	GESTIUNE TRANZIF-STOC FURNIZOR	NETWORK ONE DISTRIBUT
2020-08-04	Orders	CMFAX-1491	AX PERPETUUM IMPEX SRL	INTERINVEST GRUP SRL	EGGER RETAIL PRODUCT
2020-08-04	Orders	CMFAX-1470	AX PERPETUUM IMPEX SRL	INTERNI CONCEPT DESIGN SRL	EGGER RETAIL PRODUCT
2020-08-04	Orders	0103929246	BRICOSTORE ROMANIA S.A.	DEPOZIT BANEASA	AZUR SA
2020-08-04	Orders	CMFAX-1466	AX PERPETUUM IMPEX SRL	MONDERA SRL	EGGER RETAIL PRODUCT
2020-08-04	Orders	CMFAX-1475	AX PERPETUUM IMPEX SRL	GIOINVEST CORPORATION SRL	EGGER RETAIL PRODUCT

Page 1 of 1889 | Displaying 1 to 15 of 28334 items

ORDERS	RETORD	DESADV	RETANN	RECADV	PV	INVOIC	ORDRSP	DELFOR	APERAK
█	█	█	█	█	█	█	█	█	█
█	█	█	█	█	█	█	█	█	█
█	█	█	█	█	█	█	█	█	█
█	█	█	█	█	█	█	█	█	█

**eCom.IT ediport**

Document Information		Date Info	
Type:	Blanket order	Delivery Date:	2020-08-20
Order No.:	7860001943	Order Date:	2020-08-04
Order Note:	ACHTUNG ERSTAUSSTATTUNG!	Document Date:	2020-08-04
Currency:	RON	Integration Start Date:	-
Order Reference Code:			

Seller		Buyer	
GLN / Code:	5940034999695 / 10330200	GLN / Code:	5940475048006
Name:	HONEST GENERAL TRADING SRL	Name:	HORNBAACH
Address:	Intrarea Abitorului, nr. 1A	Address:	Str. Hornbach Nr 17-21
ZIP Code:	077105	Postal Code:	077090
City:	GLINA	City:	Domnesti Iltov
Country Code:	RO	Country Code:	RO

Delivery		Payer	
GLN:	5940475048105	GLN:	5940475048006
Name:	Hornbach Oradea	Name:	Hornbach Centrala S.R.L.
Address:	Calos Santandrei 2	Address:	Str. Hornbach Nr 17-21
Postal Code:	410238	ZIP Code:	077060
City:	Oradea	City:	Domnesti Iltov
Country Code:	RO	Country Code:	RO

No	EAN Barcode	Item Description	Item Customer Code	Item Supplier Code	Ordered Quantity	Shipped Qty	DESADV Number	Quantity Per Pac	Delivery Date	Price	Amount
1	5940094037569	PRES7 MANUAL DE STRUGURI,32L	10308175	679921	4.00 BUC	0 BUC			2020-08-20	239.40	957.60

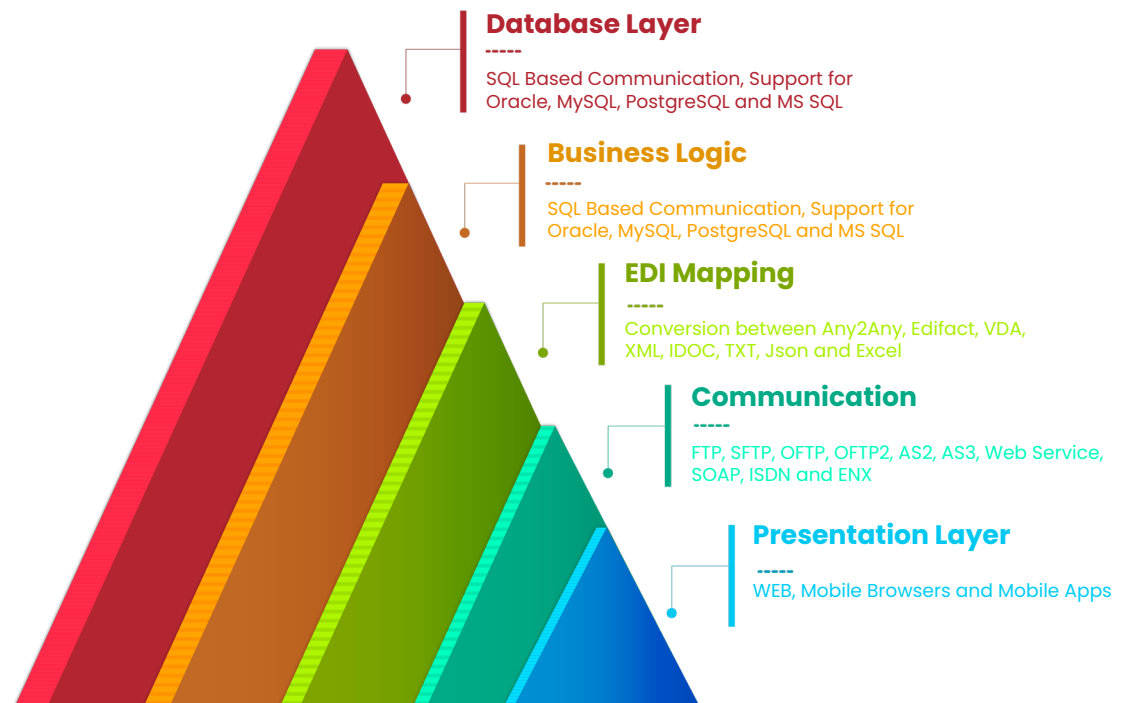
Total Line Count:	1
Total Ordered Amount:	957.00 RON

# B2B EDI-Enabled Order Management for Sales Teams and Trading Partners

eCom IT's Sales EDI is a web-based application that enables sales staff to efficiently record, transmit, and modify orders received from the field.

Our web-based Sales EDI application empowers your sales team and trading partners with customizable integration to existing ERP infrastructure at minimal cost in terms of setup, time, money, and training.

- Area, customer, store and category-based user hierarchy
- Users can operate with their authenticated customers only
- Create, edit, revise and send orders. Support for return policies.
- Super-user abilities: View all activities of all users
- EDI-based integration with Customer ERP systems
- System data like users, products, categories and privileges can be automatically updated by customer
- Orders are converted to EDI messages and transmitted to Customer ERP System via AS2, OFTP, OFTP2, FTP, SFTP, ISDN, X400 and ENX
- Time-restricted order management for special periods. (Easter, Christmas, and other national holidays)







**eCom.IT**

**References are  
available on request**





# eCom.IT

[ecomit.tech](http://ecomit.tech)

[info@ecomit.tech](mailto:info@ecomit.tech)